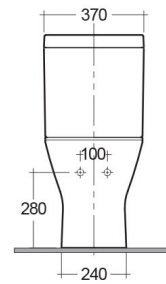
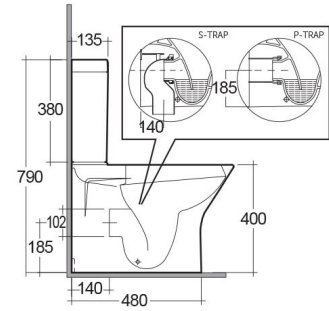
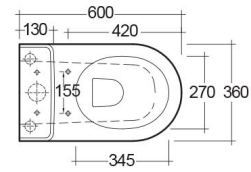


**RAK-RESORT**  
**Close Coupled | Water Closet**

**RAK**  
 CERAMICS



**TECHNICAL SPECIFICATIONS**

Suite:	RAK-RESORT
Type:	Close Coupled
Dimensions:	600 x 360 mm
Weight:	38 Kg
Color:	Alpine White
Trap type:	P Trap & S Trap
Trapway type:	Concealed
Seat cover options:	Urea
Bowl shape:	Oval
Soft close:	yes
Quick remove seat cover:	yes
Flush Type:	Dual Flush
Flush Capacity:	Compatible with 6/3L dual flushing, 4,5/3L dual flushing, in accordance with en997-type 1

Code	Name
RST17AWHA	RESORT WATER CLOSET RIMLESS CLOSE COUPLED BACK TO WALL P S-TRAP 60CM
RST10AWHA	RESORT WATER CLOSET TANK

YFG106CAWHA	SEAT & COVER (UREA With Soft Close)
RESC0004	RAK-Resort Slim Soft Close Quick Release Seat Cover

Dimensions: All dimensions in mm. Tolerance of vitreous china & fireclay items:  $\pm 5\%$  for below 200mm and  $\pm 3\%$  for above 200mm; for all other items tolerance  $\pm 1\%$ . Note: Due to a continuing development program to improve design and performance, the manufacturer reserves all rights to vary specifications without prior information. Please note accessories are for photographic use only.