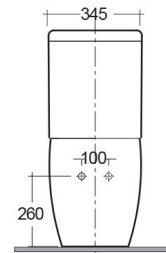
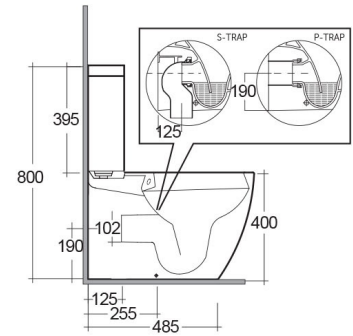
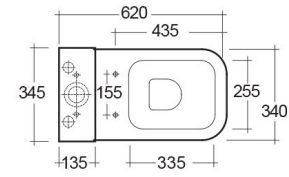


RAK-METROPOLITAN

Close Coupled | Water Closet

RAK
CERAMICS



TECHNICAL SPECIFICATIONS

Suite:	RAK-METROPOLITAN
Type:	Close Coupled
Dimensions:	620 x 340 mm
Weight:	44 Kg
Color:	Alpine White, Ivory
Trap type:	P Trap & S Trap
Trapway type:	Concealed
Seat cover options:	ABS & Urea
Bowl shape:	Rounded Rectangle
Soft close:	yes
Flush Type:	Dual Flush
Flush Capacity:	N/A

Code	Name
MP20AWHA	METROPOLITAN WATER CLOSET TANK
MP29AWHA	METROPOLITAN WATER CLOSET RIMLESS CLOSE COUPLED BACK TO WALL P S-TRAP 62CM
MP05SCQRAWHA	RAK-Metropolitan ABS Soft Close Seat Cover with Quick Release

MP05NCQRAWHA	RAK-Metropolitan ABS Normal Close Seat and Cover with Quick Release
YFG100AAWHA	SEAT & COVER (UREA With Soft Close)

Dimensions: All dimensions in mm. Tolerance of vitreous china & fireclay items: $\pm 5\%$ for below 200mm and $\pm 3\%$ for above 200mm; for all other items tolerance $\pm 1\%$. Note: Due to a continuing development program to improve design and performance, the manufacturer reserves all rights to vary specifications without prior information. Please note accessories are for photographic use only.