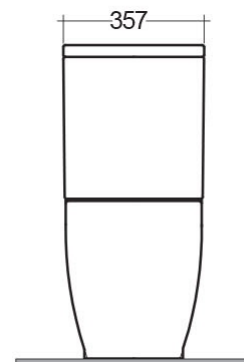
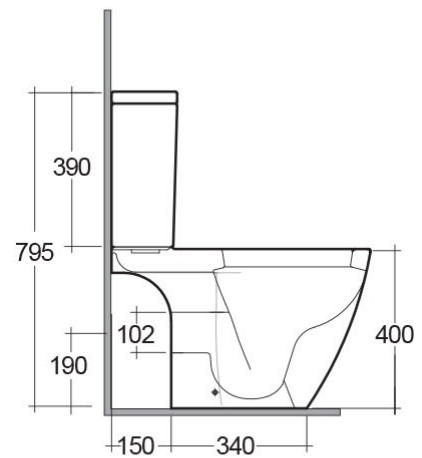
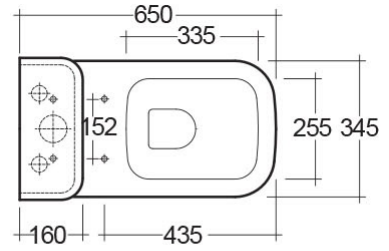


RAK-CAROLINE

Close Coupled | Water Closet

RAK
CERAMICS



Technical specifications

Dimensions: 650 x 345 mm

Weight: 42 Kg

Color: Alpine White

Trap type: P Trap

Trapway type: Concealed

Seat cover options: ABS & Urea

Bowl shape: Rounded Rectangle

Soft close: yes

Dual flush: yes

Suites: [RAK-CAROLINE](#)

Code	Name
------	------

CY16AWHA	CAROLINE WATER CLOSET CLOSE COUPLED P-TRAP 65CM
----------	---

CY10AWHA	CAROLINE WATER CLOSET TANK
----------	----------------------------

Dimensions: All dimensions in mm tolerance $\pm 5\%$ for below 200mm and $\pm 3\%$ for above 200mm.

Note: Due to a continuing development programme to improve design and performance, the manufacturer reserves all rights to vary specifications without prior information.

Please note accessories are for photographic use only.