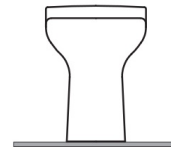
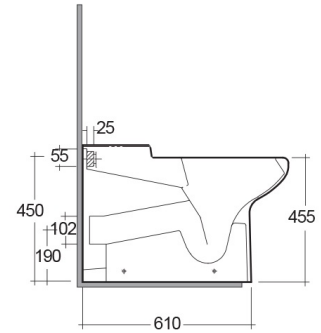
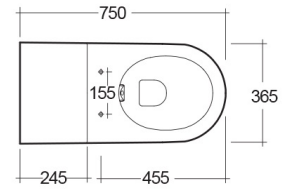


RAK-SPECIAL NEEDS COMFORT HEIGHT 48 CM
Back to Wall | Water Closet

RAK
 CERAMICS



TECHNICAL SPECIFICATIONS

Suite:	RAK-SPECIAL NEEDS
Type:	Back to Wall
Dimensions:	750 x 365 mm
Weight:	37 Kg
Color:	Alpine White
Trap type:	P Trap
Trapway type:	Concealed
Seat cover options:	Urea
Bowl shape:	Oval
Flush Type:	Dual Flush
Flush Capacity:	N/A

Code	Name
CO21AWHA	COMPACT WATER CLOSET RIMLESS P-TRAP 75CM
YFG085A	Urea Seat & Cover

Dimensions: All dimensions in mm. Tolerance of vitreous china & fireclay items: ± 5% for below 200mm and ± 3% for above 200mm; for all other items tolerance ± 1%. Note: Due to a continuing development program to improve design and performance, the manufacturer reserves all rights to vary specifications without prior information. Please note accessories are for photographic use only.

