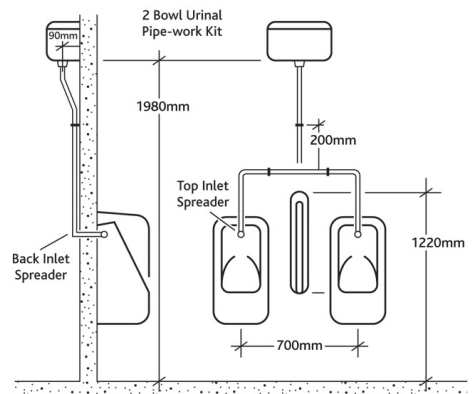


# URINAL AUTO CISTERN

## Urinal Auto Cistern

**RAK**  
CERAMICS



## TECHNICAL SPECIFICATIONS

|                 |                           |
|-----------------|---------------------------|
| Type:           | Urinal Auto Cistern       |
| Weight:         | 7 Kg                      |
| Flush Type:     | Dual Flush                |
| Flush Capacity: | 6/3L adjustable to 4.5/3L |
| Color:          | Alpine White              |

| Code       | Name  |
|------------|---|
| CONURIPAK2 | Concealed Urinal Auto Cistern 9.0l Capacity complete with Sparge Pipe Sets, Back Inlet Spreader and Urinal Waste suitable for 2 Urinals |

Dimensions: All dimensions in mm. Tolerance of vitreous china & fireclay items:  $\pm 5\%$  for below 200mm and  $\pm 3\%$  for above 200mm; for all other items tolerance  $\pm 1\%$ . Note: Due to a continuing development program to improve design and performance, the manufacturer reserves all rights to vary specifications without prior information. Please note accessories are for photographic use only.