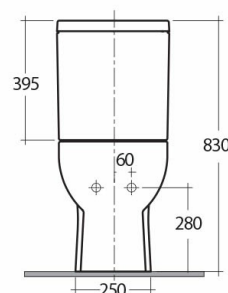
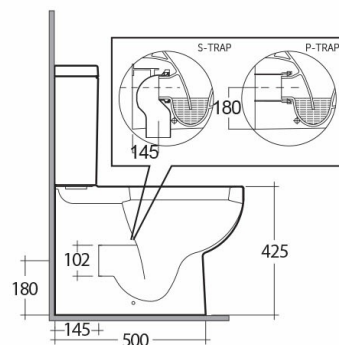
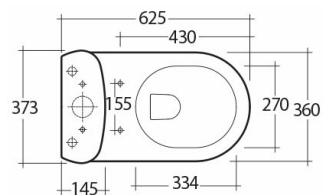


RAK-TONIQUE

Con cisterna | Inodoro

RAK
CERAMICS



Technical specifications

Dimensiones:	625 x 360 mm
Peso:	40 Kg
Color:	Blanco Alpino
Tipo de sifón:	A pared
Tipo de sifón:	Oculto
Seat cover options:	ABS y UREA
Bowl shape:	Oval
Tapa suave:	sí
Doble descarga:	sí
Suites:	RAK-TONIQUE

Code	Nombre
TQ16AWHA	TONIQUE WATER CLOSET CLOSE COUPLED BACK TO WALL P S-TRAP 62CM
TQ10AWHA	TONIQUE WATER CLOSET TANK

Dimensions: All dimensions in mm. Tolerance of vitreous china & fireclay items: $\pm 5\%$ for below 200mm and $\pm 3\%$ for above 200mm; for all other items tolerance $\pm 1\%$. Note: Due to a continuing development program to improve design and performance, the manufacturer reserves all rights to vary specifications without prior information. Please note accessories are for photographic use only.