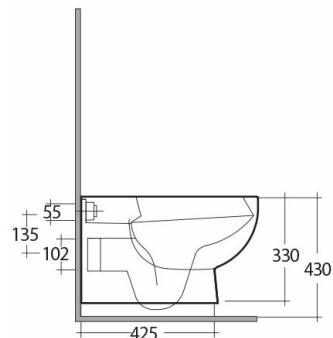
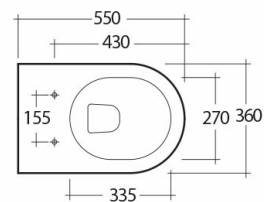


RAK-TONIQUE W/HIDDEN FIXATIONS

Wall Hung | Water Closet

RAK
CERAMICS



Technical specifications

Dimensions: 550 x 360 mm

Weight: 25 Kg

Color: Alpine White

Trap type: P Trap

Trapway type: Concealed

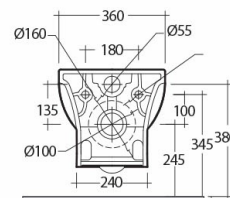
Seat cover options: ABS & Urea

Bowl shape: Oval

Soft close: yes

Dual flush: yes

Suites: [RAK-TONIQUE](#)



Code	Name
------	------

TQ13AWHA	TONIQUE WATER CLOSET RIMLESS WALL HUNG W/HIDDEN FIXATIONS 55CM
----------	--

Dimensions: All dimensions in mm. Tolerance of vitreous china & fireclay items: $\pm 5\%$ for below 200mm and $\pm 3\%$ for above 200mm; for all other items tolerance $\pm 1\%$. Note: Due to a continuing development program to improve design and performance, the manufacturer reserves all rights to vary specifications without prior information. Please note accessories are for photographic use only.