

# RAK-WASHINGTON

## Close Coupled Suite

**RAK**  
CERAMICS



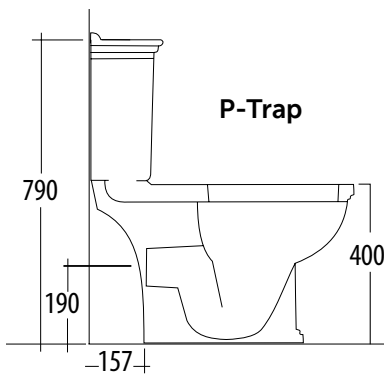
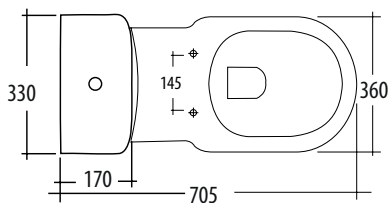
### FEATURES

- Boxed rim pan
- Concealed floor fixings
- Cistern with Geberit valves
- Urea soft close quick release seat (white only)
- Bottom left or right inlet connection
- WELS 4 star rated, 4.5/3L

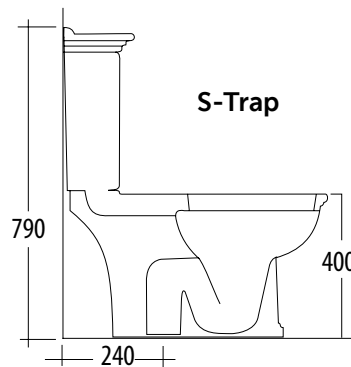
### AVAILABLE OPTIONS

- P-Trap
- S-Trap 240: 20mm offset pan collar: 220-260mm  
40mm offset pan collar: 200-280mm
- ABS soft close seat with stainless steel hinges (ivory only)
- Colour: White or Ivory

TOP VIEW



SIDE VIEW



Warranty	Period
Vitreous China	10 Years
Internal Valves	2 Years
Seat	1 Year

### Installation Note:

Cistern tapers at bottom of cistern.  
Cistern is not flush to wall.

\*Tolerance:  $\pm 3\%$  on dimensions below 200mm &  $\pm 5\%$  for dimensions above 200mm.  
All measurements relate to finish floor or finish wall measurements.  
All information shown is correct at time of printing. 30/05/2018

**Water Mark**  
AS1172  
Lic. WMKA01985  
Standards Australia  
MADE IN U.A.E.

