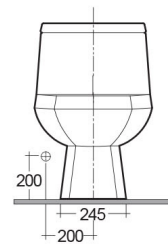
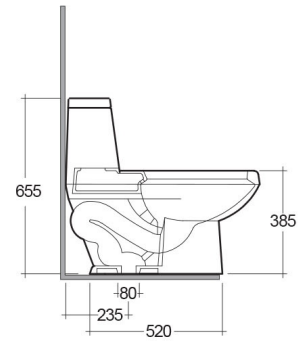
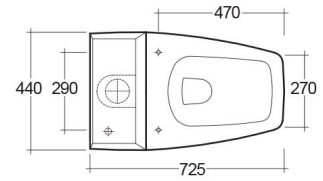


RAK-STAR GALAXY
Syphonic | One Piece | Water Closet

RAK
 CERAMICS



TECHNICAL SPECIFICATIONS

Suite:	RAK-STAR GALAXY
Type:	One Piece
Dimensions:	735 x 280 mm
Weight:	40 Kg
Color:	Alpine White
Trap type:	S Trap
Trapway type:	Exposed
Seat cover options:	ABS Plastic
Bowl shape:	Rectangle
Flush Type:	Single Flush

Code	Name
ST05AWHA	SEAT & COVER (ABS)
ST10AWHA	STAR GALAXY WATER CLOSET SIPHONIC ONE PIECE 73CM

Dimensions: All dimensions in mm. Tolerance of vitreous china & fireclay items: ± 5% for below 200mm and ± 3% for above 200mm; for all other items tolerance ± 1%. Note: Due to a continuing development program to improve design and performance, the manufacturer reserves all rights to vary specifications without prior information. Please note accessories are for photographic use only.