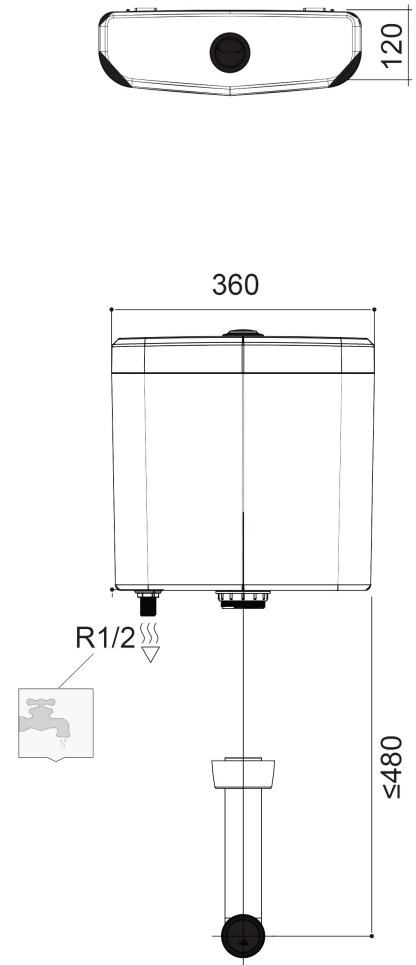


RAK-NEOFIX - FS12RAKES01

Low Level Exposed Cistern

RAK
CERAMICS



TECHNICAL SPECIFICATIONS

Suite:	RAK-NEOFIX
Type:	Low Level Exposed Cistern
Dimensions:	360 x 480 mm
Flush Type:	Dual Flush
Flush Capacity:	6-3L
Color:	Alpine White

Code	Name
FS12RAKES01	RAK-NEOFIX / LOW LEVEL CISTERN

Dimensions: All dimensions in mm. Tolerance of vitreous china & fireclay items: $\pm 5\%$ for below 200mm and $\pm 3\%$ for above 200mm; for all other items tolerance $\pm 1\%$. Note: Due to a continuing development program to improve design and performance, the manufacturer reserves all rights to vary specifications without prior information. Please note accessories are for photographic use only.