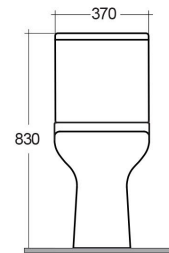
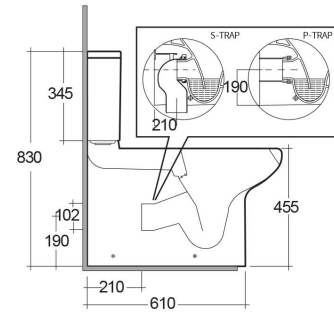
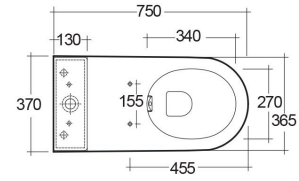


# RAK-SPECIAL NEEDS

Con cisterna | Inodoro

**RAK**  
CERAMICS



## Technical specifications

Dimensiones:	750 x 370 mm
Peso:	44.5 Kg
Color:	Blanco Alpino
Tipo de sifón:	P Trap & S Trap
Tipo de sifón:	Oculto
Seat cover options:	ABS y UREA
Bowl shape:	rectangular redondeada
Suites:	<a href="#">RAK-SPECIAL NEEDS</a>

Code	Nombre
CO25AWHA	COMPACT WATER CLOSET RIMLESS CLOSE COUPLED P S-TRAP 75CM

Dimensions: All dimensions in mm tolerance  $\pm 5\%$  for below 200mm and  $\pm 3\%$  for above 200mm.

Note: Due to a continuing development programme to improve design and performance, the manufacturer reserves all rights to vary specifications without prior information.

Please note accessories are for photographic use only.