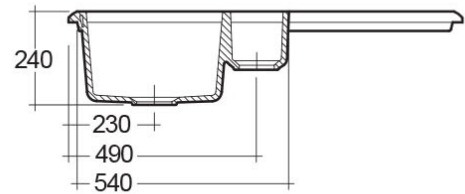
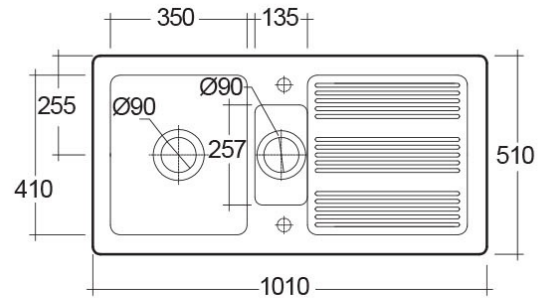


RAK-ACADIA

Over Counter | Fregadero de cocina

RAK
CERAMICS



Technical specifications

Dimensiones: 1010 x 510 mm

Peso: 30 Kg

Color: Blanco Alpino

Espacio de tocador: sí

Suites: [Kitchen Sinks](#)

Code	Nombre
OC175AWHA	Acadia Kitchen Sink

Dimensions: All dimensions in mm tolerance $\pm 5\%$ for below 200mm and $\pm 3\%$ for above 200mm.

Note: Due to a continuing development programme to improve design and performance, the manufacturer reserves all rights to vary specifications without prior information.

Please note accessories are for photographic use only.