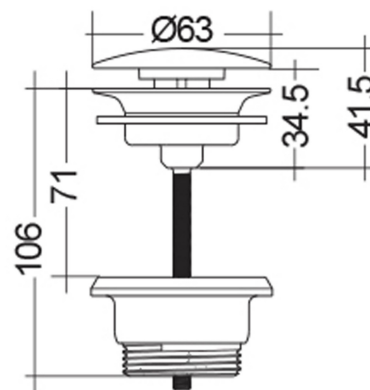


RAK-DUO - DUO002514A - MATT CAPPUCCINO

RAK-DUO - DUO002514A - MATT CAPPUCCINO

RAK
CERAMICS



Technical specifications

Dimensiones: 0 x 42 mm

Color:

Code:

Suites: [RAK-DUO](#)

Code	Nombre
------	--------

DUO002514A	RAK-DUO Free Flow Wastes Matt Cappuccino
------------	--

Dimensions: All dimensions in mm. Tolerance of vitreous china & fireclay items: $\pm 5\%$ for below 200mm and $\pm 3\%$ for above 200mm; for all other items tolerance $\pm 1\%$. Note: Due to a continuing development program to improve design and performance, the manufacturer reserves all rights to vary specifications without prior information. Please note accessories are for photographic use only.