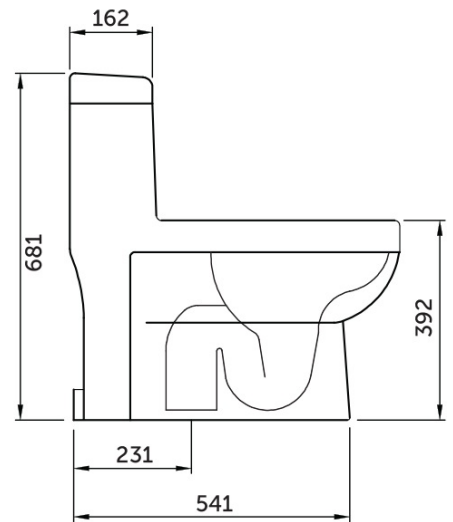
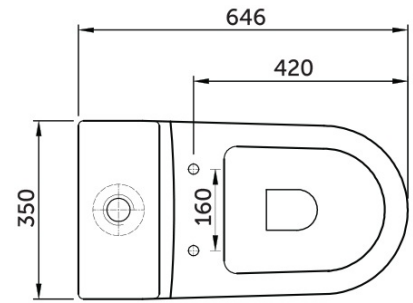


RAK-BIANCA
One Piece | Water Closet

RAK
 CERAMICS



TECHNICAL SPECIFICATIONS

Type:	One Piece
Dimensions:	650 x 345 mm
Color:	Alpine White
Trap type:	S Trap
Trapway type:	Concealed
Seat cover options:	None
Bowl shape:	Rounded Rectangle
Flush Type:	Single Flush

Code	Name
NOT AVAILABLE	NOT AVAILABLE

Dimensions: All dimensions in mm. Tolerance of vitreous china & fireclay items: $\pm 5\%$ for below 200mm and $\pm 3\%$ for above 200mm; for all other items tolerance $\pm 1\%$. Note: Due to a continuing development program to improve design and performance, the manufacturer reserves all rights to vary specifications without prior information. Please note accessories are for photographic use only.