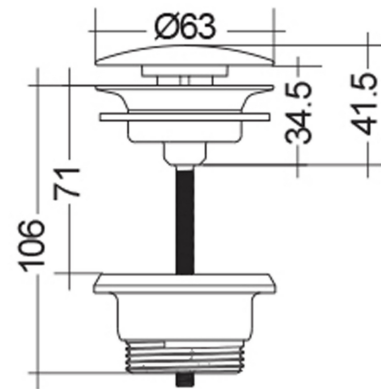


RAK-DUO - DUO002500A - MATTE WHITE

Free Flow Wastes Matte White

RAK
CERAMICS



Technical specifications

Dimensions:	0 x 42 mm
Color:	MATT WHITE - 500
Code:	
Suites:	RAK-DUO

Code	Name
DUO002500A	RAK-DUO Free Flow Wastes Matte White

Dimensions: All dimensions in mm. Tolerance of vitreous china & fireclay items: $\pm 5\%$ for below 200mm and $\pm 3\%$ for above 200mm; for all other items tolerance $\pm 1\%$. Note: Due to a continuing development program to improve design and performance, the manufacturer reserves all rights to vary specifications without prior information. Please note accessories are for photographic use only.