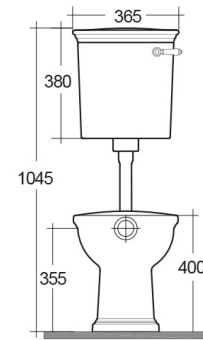
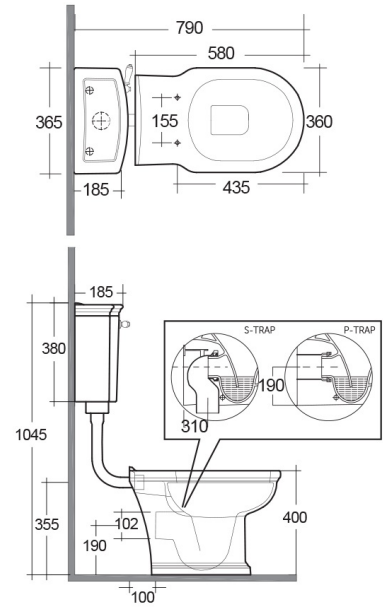


RAK-WASHINGTON - WT21AWHA - WITH FRONT LEVER

Back to Wall | Water Closet

RAK
CERAMICS



TECHNICAL SPECIFICATIONS

Suite:	RAK-WASHINGTON
Type:	Back to Wall
Dimensions:	580 x 360 mm
Weight:	22 Kg
Color:	Alpine White
Trap type:	P Trap & S Trap
Trapway type:	Exposed
Seat cover options:	ABS & Urea
Bowl shape:	Oval
Flush Type:	Dual Flush
Flush Capacity:	Compatible with 6/3L dual flushing, 4,5/3L dual flushing, in accordance with en997-type 1

Code	Name
WT21AWHA	WASHINGTON WATER CLOSET BACK OPEN P S-TRAP 58CM
WT23AWHA	WATER TANK WITH FRONT LIVER
FTWTLOCIST	FITTINGS
WTSC3901500	RAK-Washington Lacquered Polyester Seat Cover (500)

WTSC3901503	RAK-Washington Lacquered Polyester Seat Cover (503)
WTSC3901504	RAK-Washington Lacquered Polyester Seat Cover (504)
WTSC3901505	RAK-Washington Lacquered Polyester Seat Cover (505)
WTSC3901514	RAK-Washington Lacquered Polyester Seat Cover (514)

Dimensions: All dimensions in mm. Tolerance of vitreous china & fireclay items: $\pm 5\%$ for below 200mm and $\pm 3\%$ for above 200mm; for all other items tolerance $\pm 1\%$. Note: Due to a continuing development program to improve design and performance, the manufacturer reserves all rights to vary specifications without prior information. Please note accessories are for photographic use only.