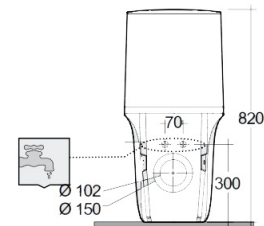
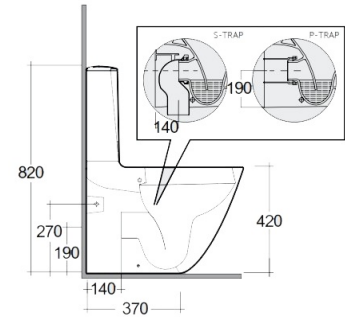
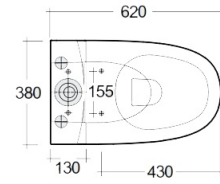


**RAK-SENSATION**  
Close Coupled | Water Closet

**RAK**  
CERAMICS



31.3 Kg.

**TECHNICAL SPECIFICATIONS**

Suite:	RAK-SENSATION
Type:	Close Coupled
Dimensions:	620 x 380 mm
Weight:	31 Kg
Color:	Alpine White
Trap type:	P Trap & S Trap
Trapway type:	Concealed
Seat cover options:	Urea
Bowl shape:	Oval
Flush Type:	Dual Flush
Flush Capacity:	Compatible with 6/3L dual flushing, 4,5/3L dual flushing, in accordance with en997-type 1

Code	Name
SENWC1146AWHA	SENSATION WATER CLOSET BACK TO WALL P/S-TRAP 62CM
SENWT1800AWHA	RAK-Sensation Water Tank with bottom inlet
SENSC3901WH	Urea Soft Close RAK-Sensation Seat Cover

Dimensions: All dimensions in mm. Tolerance of vitreous china & fireclay items:  $\pm 5\%$  for below 200mm and  $\pm 3\%$  for above 200mm; for all other items tolerance  $\pm 1\%$ . Note: Due to a continuing development program to improve design and performance, the manufacturer reserves all rights to vary specifications without prior information. Please note accessories are for photographic use only.